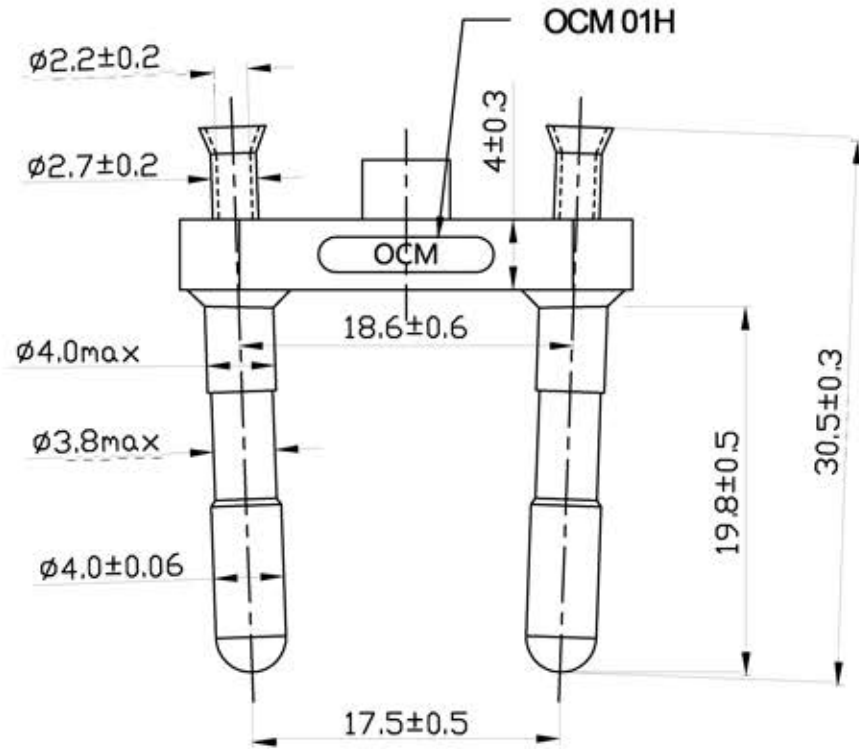
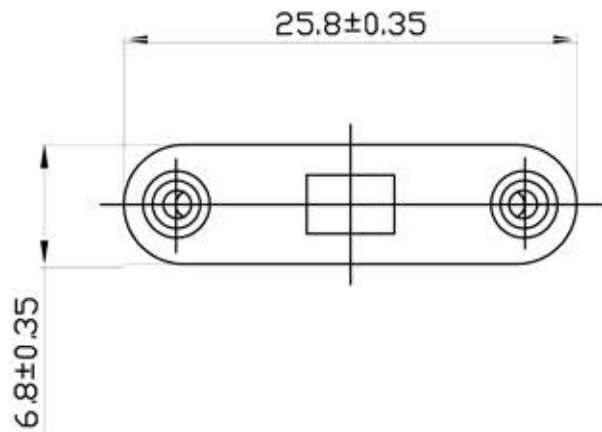



# OCM 01H



1. Plastic: FIRE RETARDANT PBT(Black/White)
2. Brass: H62 BRASS
3. Turning:  $\geq 0.4N.M$
4. WITHSTAND VOLTAGE: 2000V 1min Incomplete breakdown
5. NO APPARENT DEFECT IN APPEARANCE

Model Norms:	OCM 01H	Hardness:	—				
Model Name:	Europlug insert	Remarks:	—	No Scale:	Review:		
Plastic:	PBT+30%GF black/white	<b>OCM</b> 				Check:	
Copper:	H62 Plated Nickel					App:	

	—	—
--	---	---